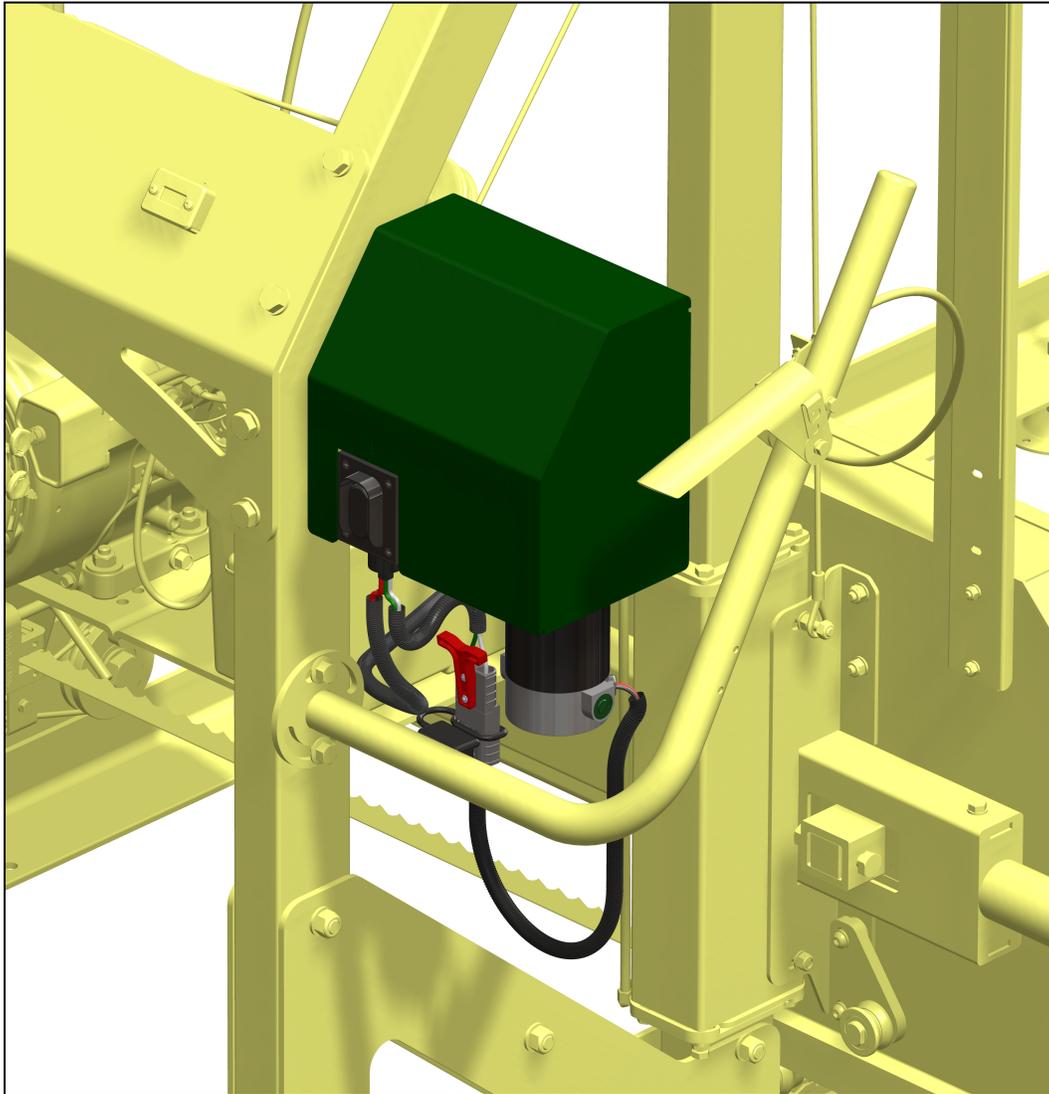


SAWMILL ACCESSORY

HM130MAX™ and HM130 Sawmills
with Electric Start



POWER HEAD KIT



DISCOVER THE WOODLAND™

HM130MAX™ is a trademark of Woodland Mills, Inc.

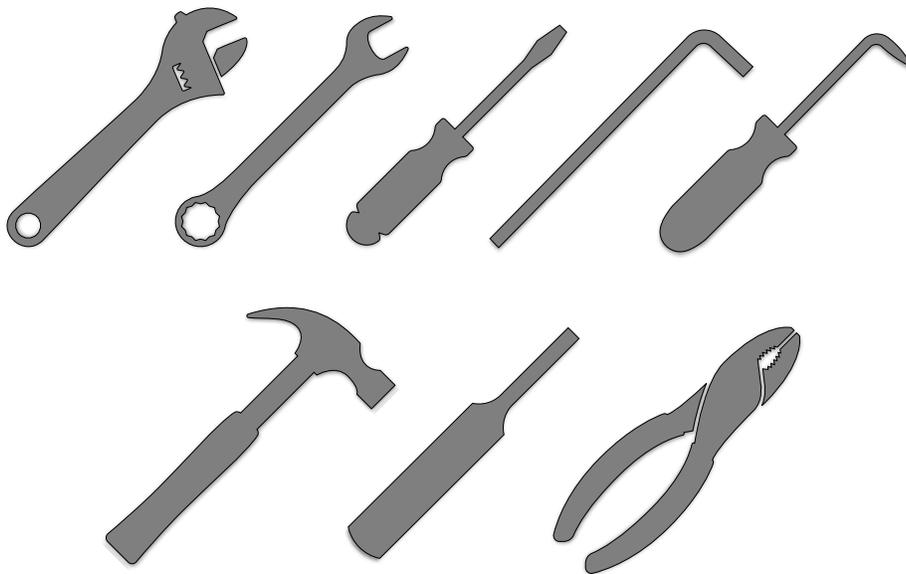
This page intentionally left blank.



TOOLS REQUIRED

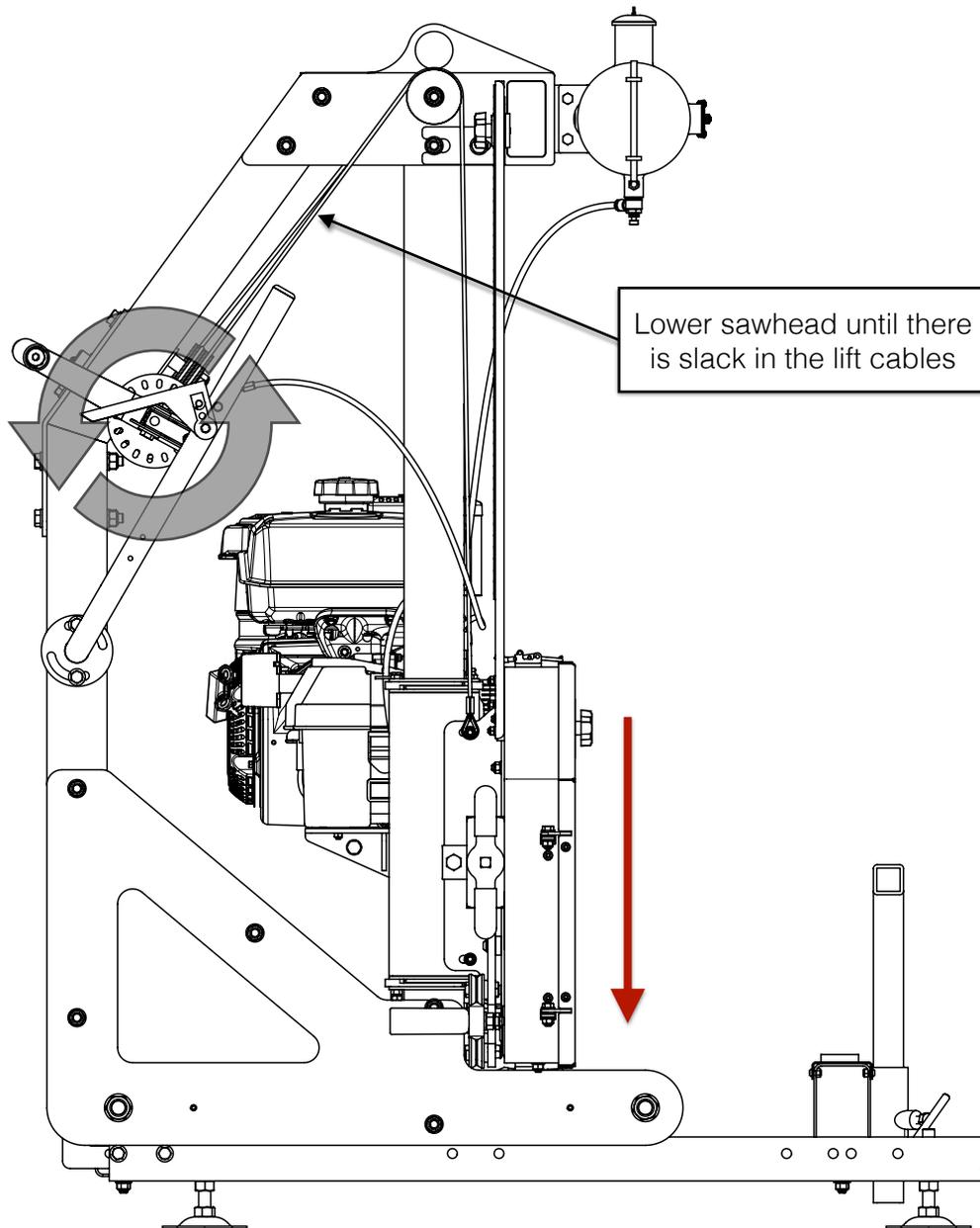
Collect the necessary tools prior to starting the assembly. Note that not all tools listed below are required to assemble the Power Head. Substitute tools as necessary based on availability.

Tool	Specification
Hex Key	5 mm
Wrench	17-18 mm
Adjustable Wrench	Variable
Screwdriver	Slotted and/or Phillips
Pliers	Slip-Joint or Needle Nose
Angled-Tip Pick or Awl	
Pin Punch	5 mm
Hammer	Standard



LOWER THE SAWHEAD

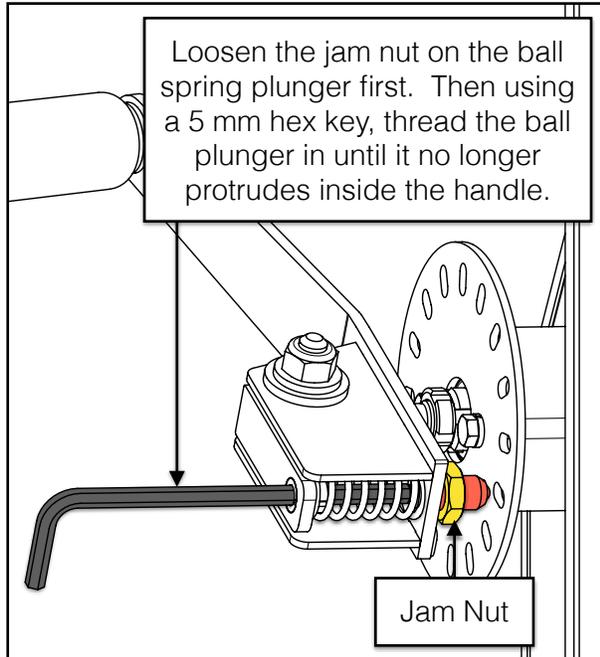
Before starting disassembly, lower the sawhead all the way to the bottom. Once the sawhead has reached its lowest point, continue turning the crank handle until there is some slack in the wire rope lift cables—but not so much slack that the cables come off the pulleys.



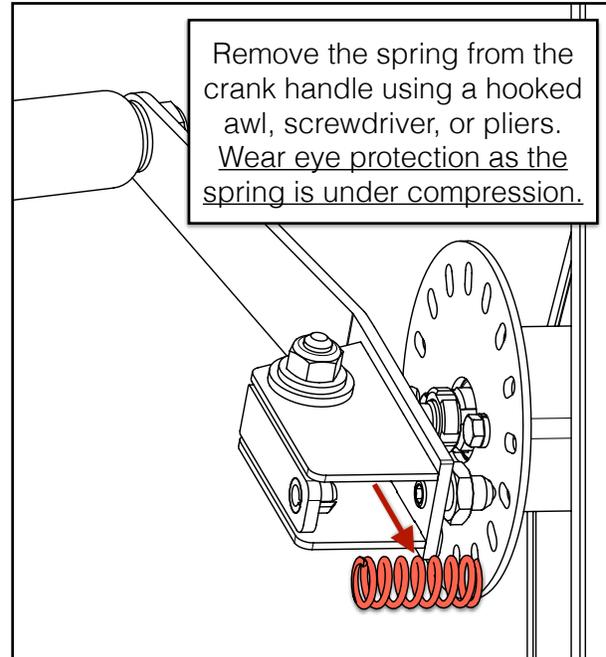
This takes the weight off the lift mechanism lead screw so it can be turned by hand in a later assembly step.

DISASSEMBLY—HM130MAX

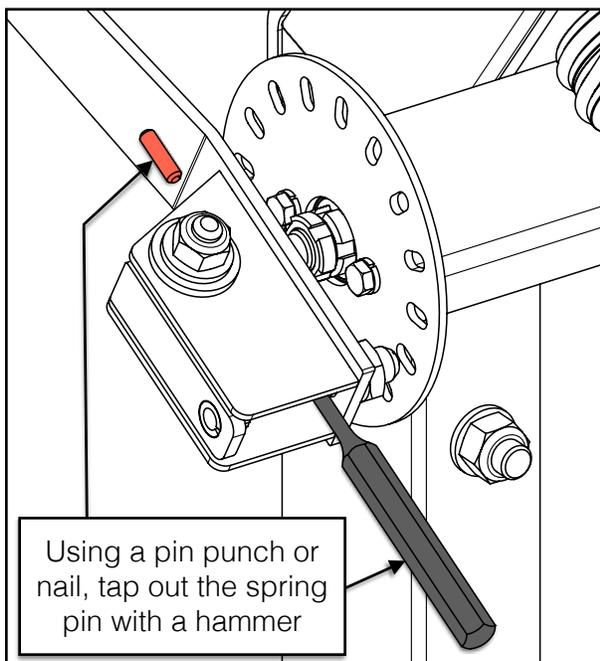
Remove the crank handle from the HM130MAX sawmill following the steps below.



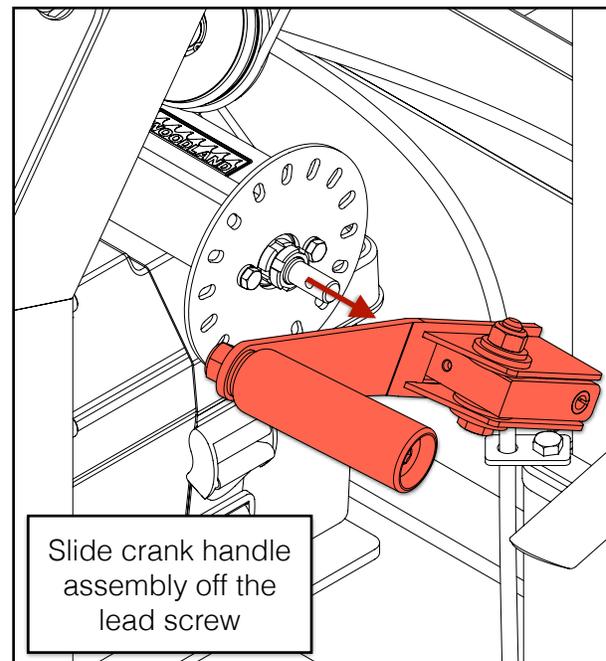
1. LOOSEN JAM NUT AND BALL PLUNGER



2. REMOVE COMPRESSION SPRING



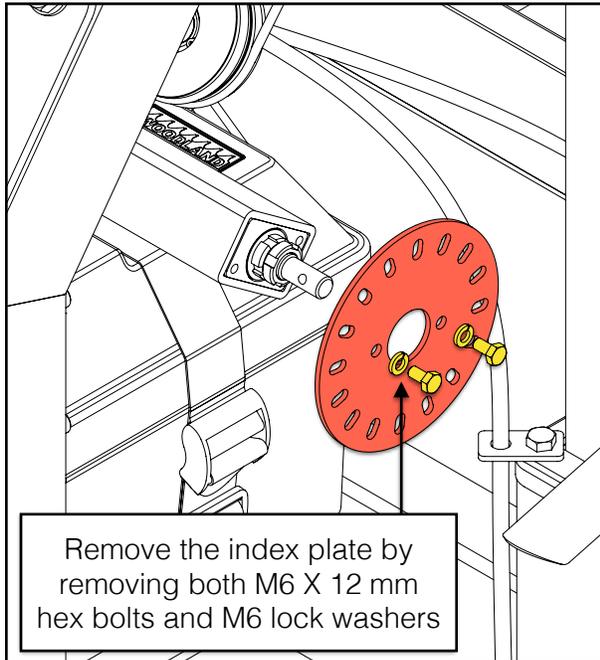
3. REMOVE SPRING PIN



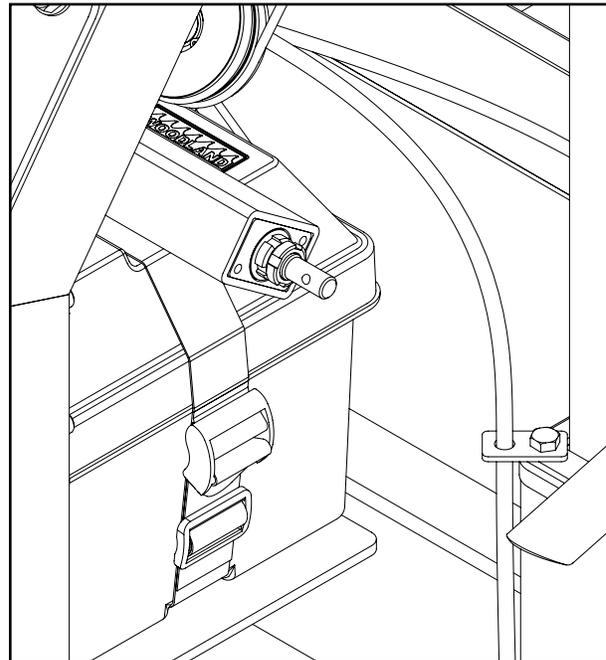
4. REMOVE CRANK HANDLE ASSEMBLY

Power Head Kit

HM130MAX™ and HM130 Sawmills with Electric Start



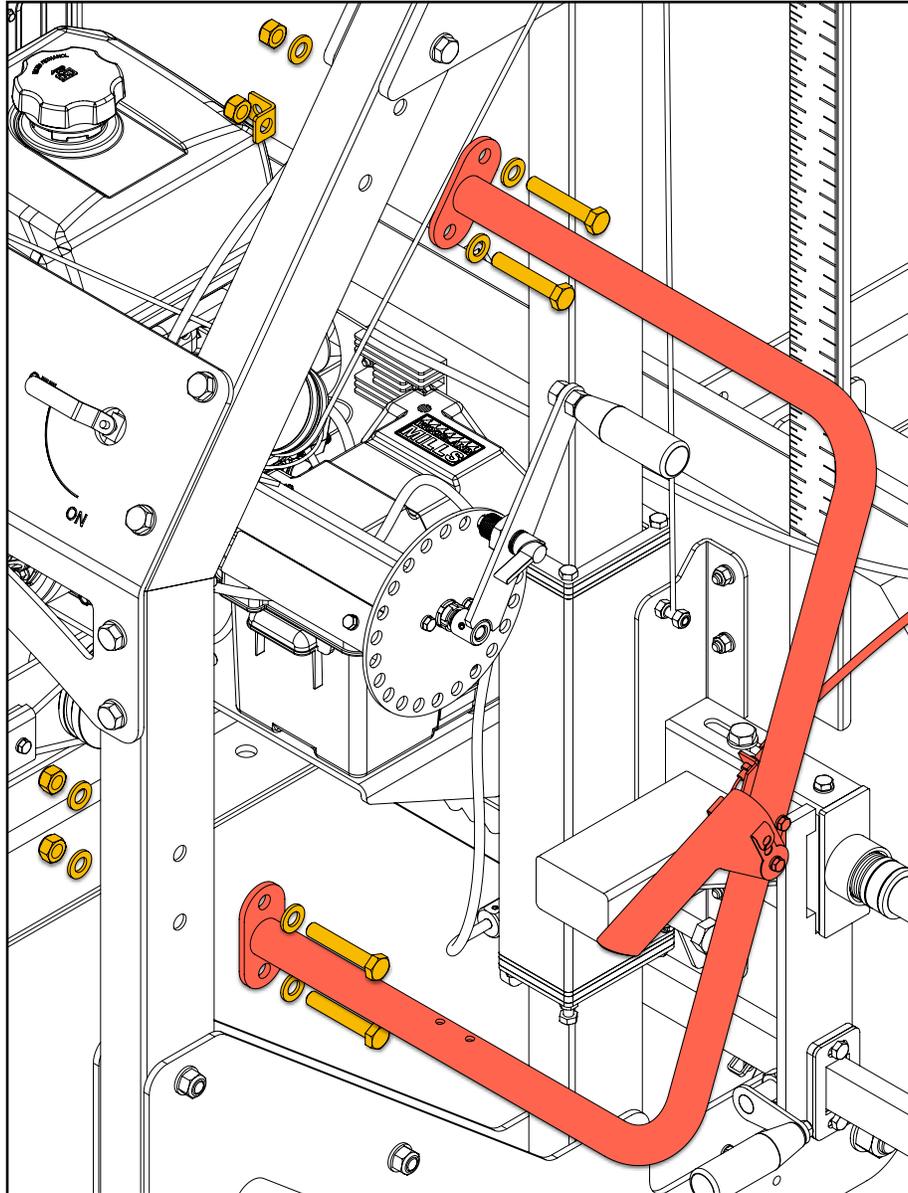
5. REMOVE INDEX PLATE



CRANK HANDLE REMOVAL COMPLETE

DISASSEMBLY—HM130

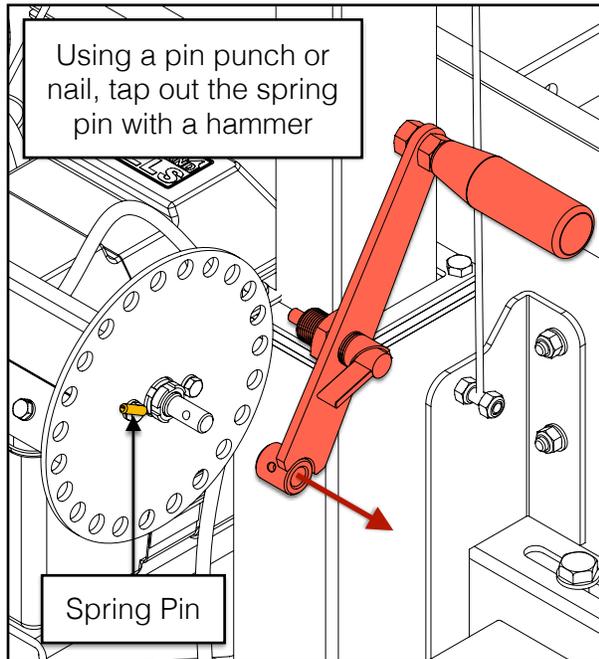
Remove the push handle, crank handle, and lift mechanism cover from the *HM130* sawmill following the steps below.



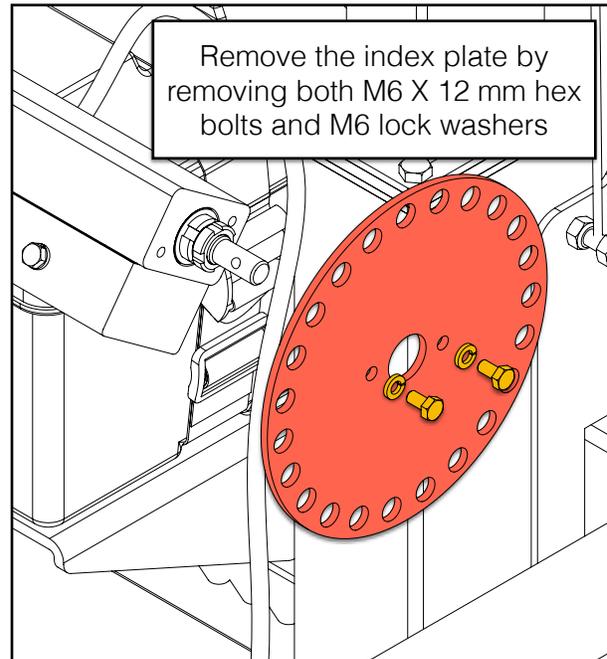
1. TEMPORARILY REMOVE THE PUSH HANDLE AND ATTACHED THROTTLE HANDLE.

Notes: It is not necessary to disconnect the throttle cable from the engine. Simply set the push handle with attached throttle handle aside until the Power Head is installed.

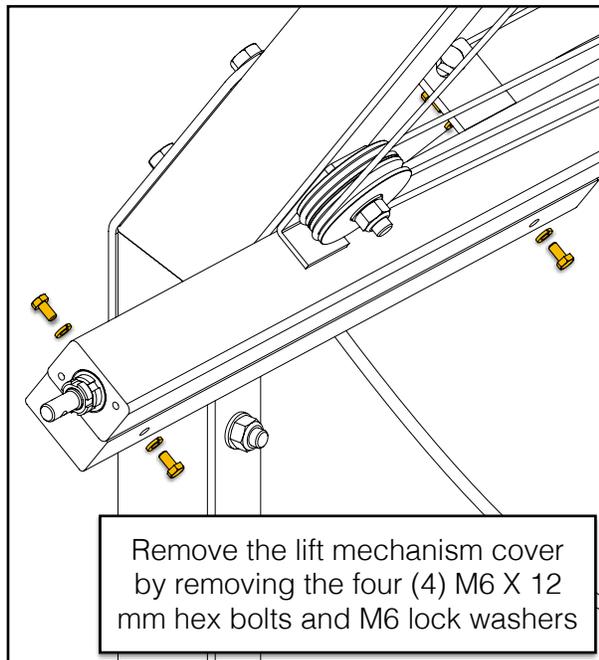
This step only applies to HM130 sawmills.



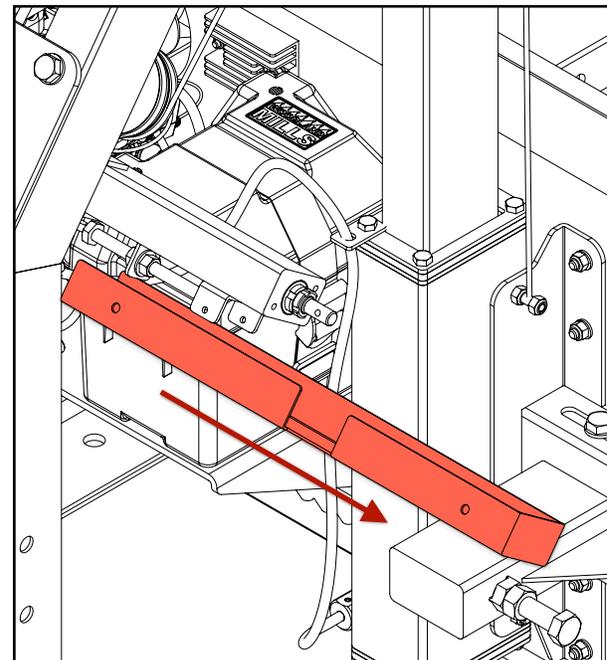
2. REMOVE SPRING PIN AND CRANK ARM



3. REMOVE INDEX PLATE



4. REMOVE BOLTS AND WASHERS FROM LIFT MECHANISM COVER



5. SLIDE COVER OUT FROM LIFT MECHANISM

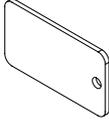
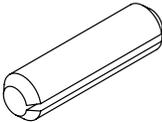
Note: these steps only apply to HM130 sawmills.



ASSEMBLY

1. POWER HEAD UNIT TO SAWMILL

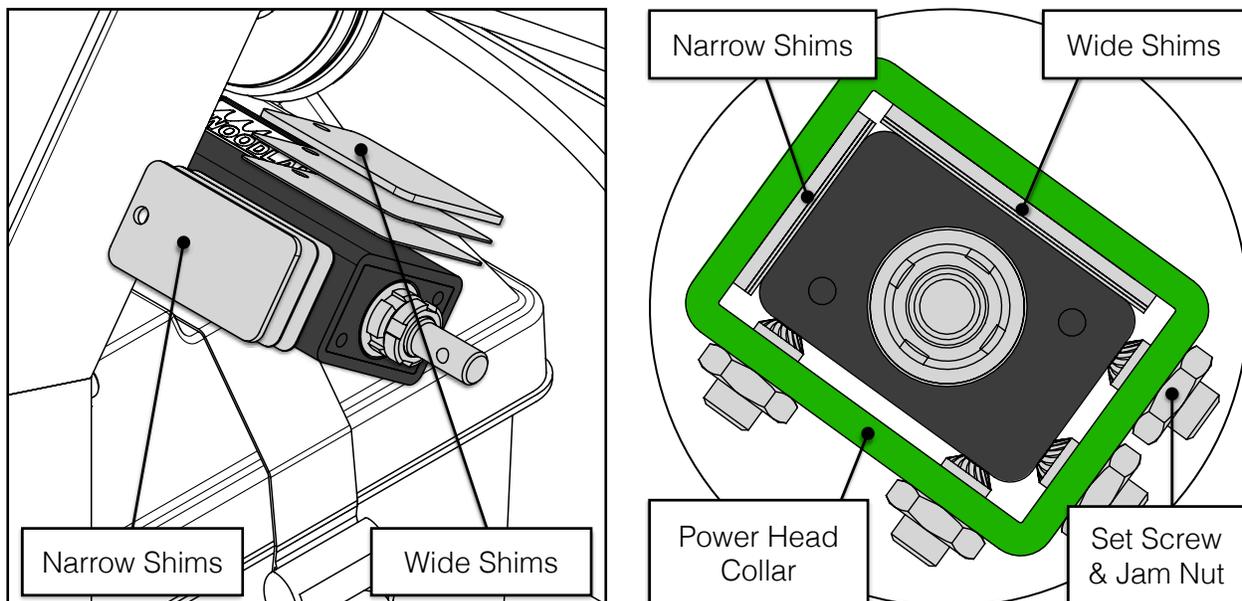
Assemble the power head unit to the sawmill's lift mechanism housing using the components listed below.

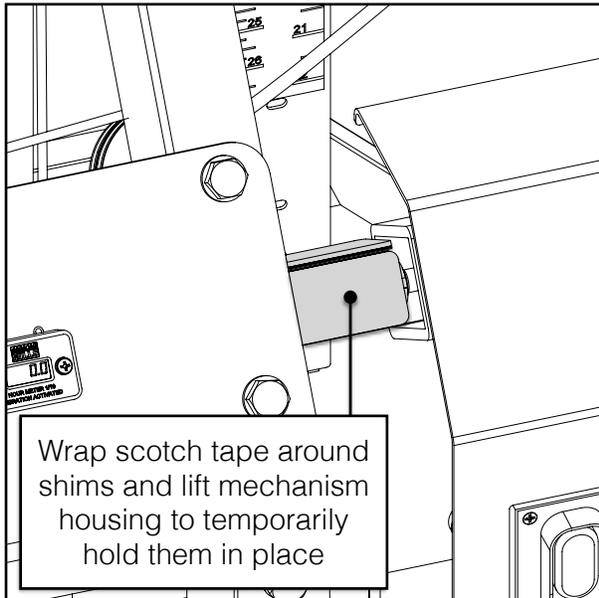
1x	Narrow Shim [2.66 mm Thk]		1x	Wide Shim [2.66 mm Thk]	
??	Narrow Shims [0.67 mm Thk] [0.97 mm Thk]		??	Wide Shims [0.67 mm Thk] [0.97 mm Thk]	
1x	Spring Pin				

****Note: the Power Head Kit includes an assortment of shims in three (3) thicknesses: 2.66, 0.97, and 0.67 mm. Use one (1) 2.66 mm shim per face and a combination of thinner shims to achieve better alignment with lift mechanism housing.****

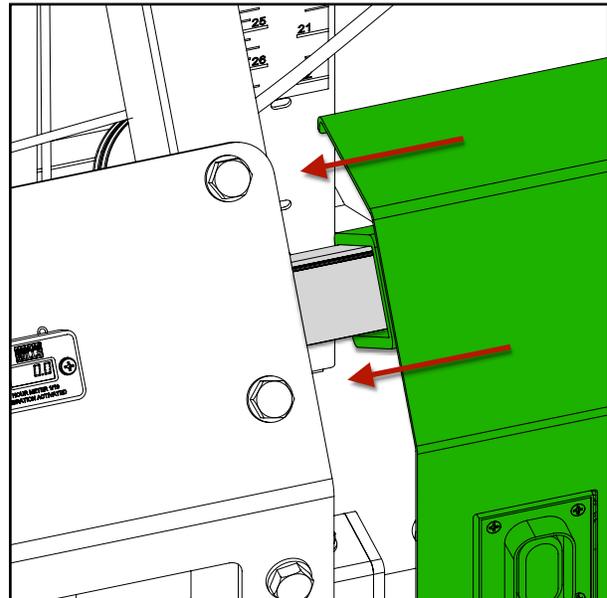
A combination of shim thicknesses—in conjunction with set screws—are used to align the hole in the power head flexible coupling hub with the lead screw shaft in the sawmill's lift mechanism.

The narrow shims help centre the power head across the narrow faces of the lift mechanism housing, likewise the wide shims centre it across the wide faces.

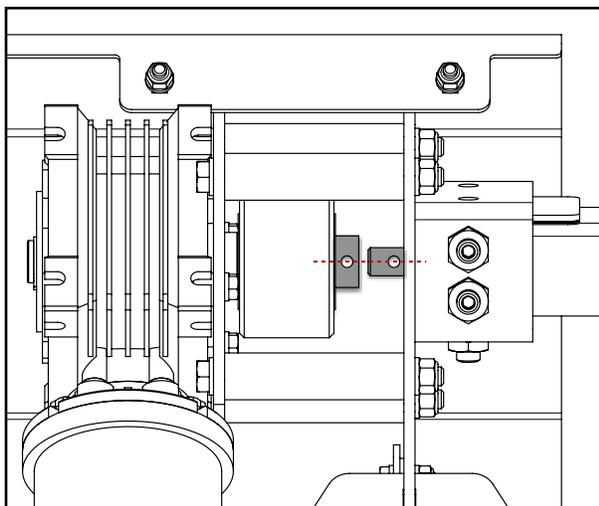




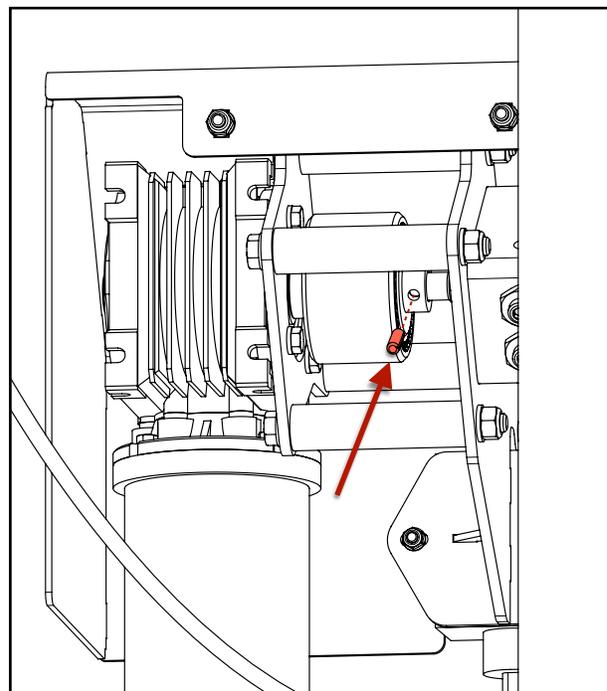
TEMPORARILY SECURE THE 2 SHIM STACKS AGAINST THE LIFT MECHANISM HOUSING SURFACES USING SCOTCH TAPE.



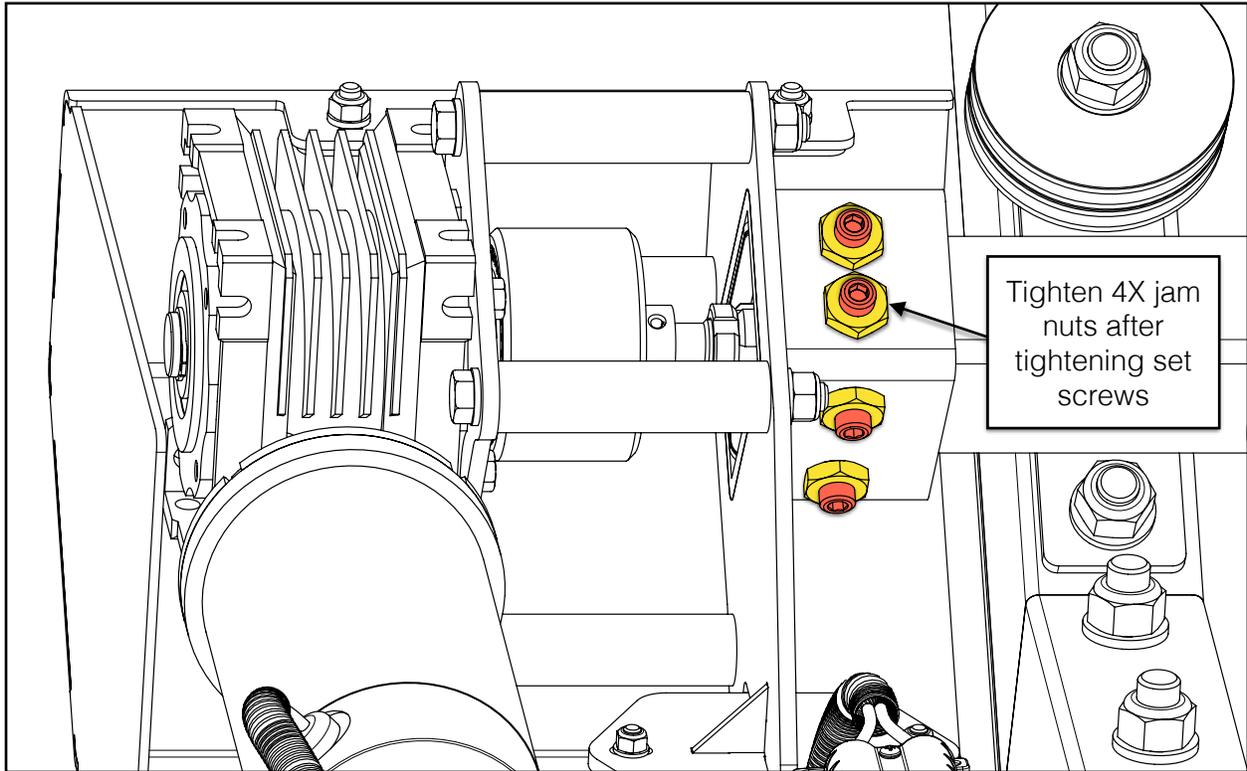
SLIDE THE POWER HEAD COLLAR PART WAY OVER THE SHIMS AND LIFT MECHANISM BUT DO NOT LET THE LEAD SCREW ENTER THE COUPLING HUB.



ORIENT THE HOLE IN THE LEAD SCREW WITH THE HOLE IN THE COUPLING HUB BY ROTATING THE LEAD SCREW. USE A SCREWDRIVER OR NAIL IF NECESSARY. THEN CONTINUE TO SLIDE THE POWER HEAD ONTO THE LIFT MECHANISM UNTIL BOTH HOLES ARE ALIGNED.



WITH THE HOLES ALIGNED, INSERT THE SPRING PIN UNTIL FULLY SECURED.

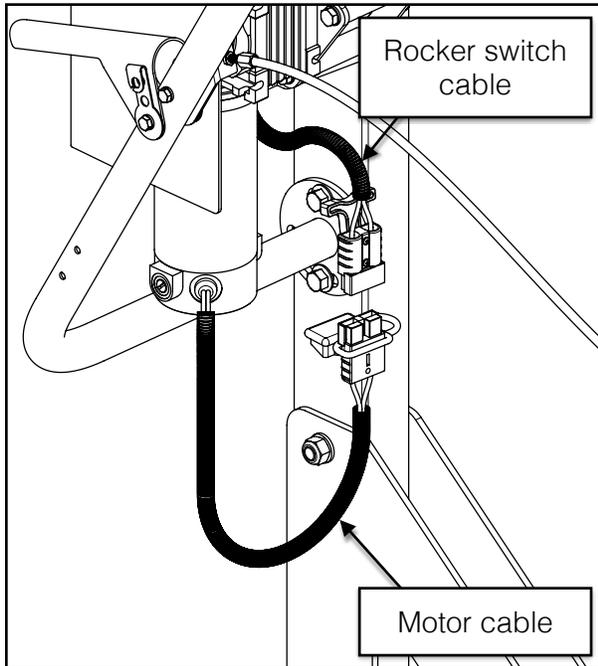


TIGHTEN THE FOUR (4) SET SCREWS AROUND THE POWER HEAD COLLAR. THEN TIGHTEN THE FOUR (4) JAM NUTS AND THE POWER HEAD UNIT WILL BE FULLY SECURED TO THE SAWMILL



2. ELECTRICAL CONNECTIONS

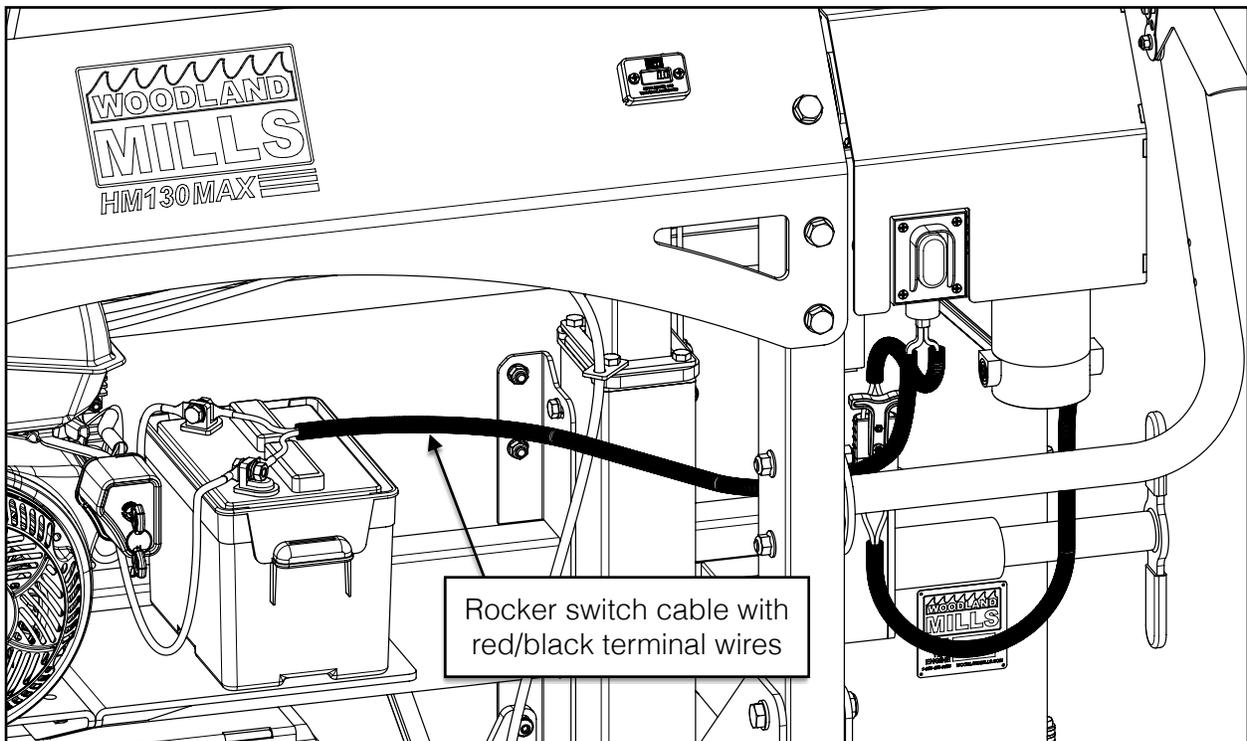
Make the electrical connections from the power head to the sawmill as outlined below.



1. CONNECT THE ROCKER SWITCH CABLE CONNECTOR TO THE MOTOR CABLE CONNECTOR.

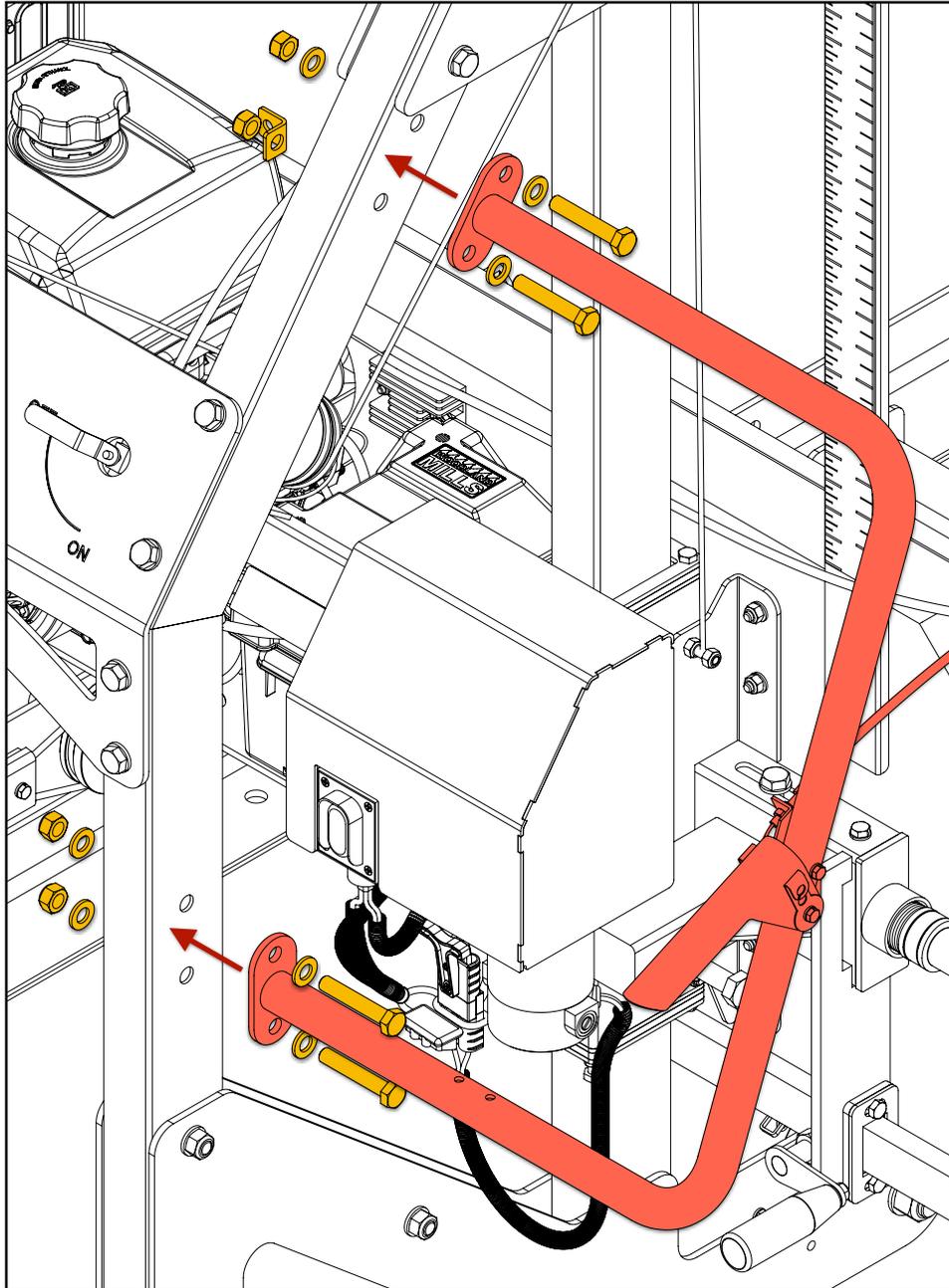
2. CONNECT THE ROCKER SWITCH CABLE WITH THE RED & BLACK TERMINAL WIRES TO THE BATTERY.

BLACK = NEGATIVE (-)
RED = POSITIVE (+)



3. PUSH HANDLE (HM130 ONLY)

With the Power Head unit fully assembled to the sawmill, re-install the push handle with the attached throttle handle to the carriage using the four (4) M12 X 70 mm hex bolts, M12 flat washers, and M12 lock nuts.

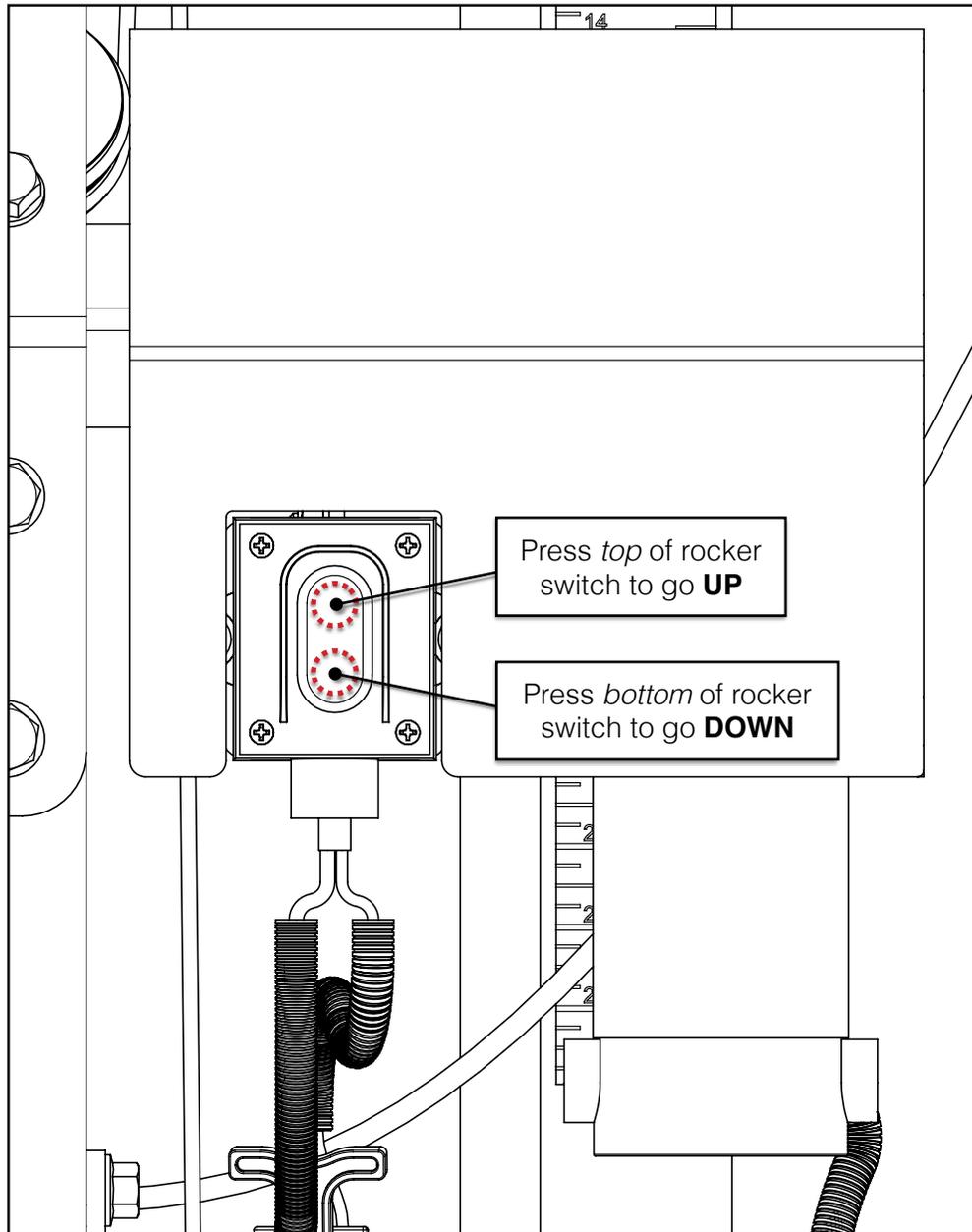


Note: this step only applies to HM130 sawmills.



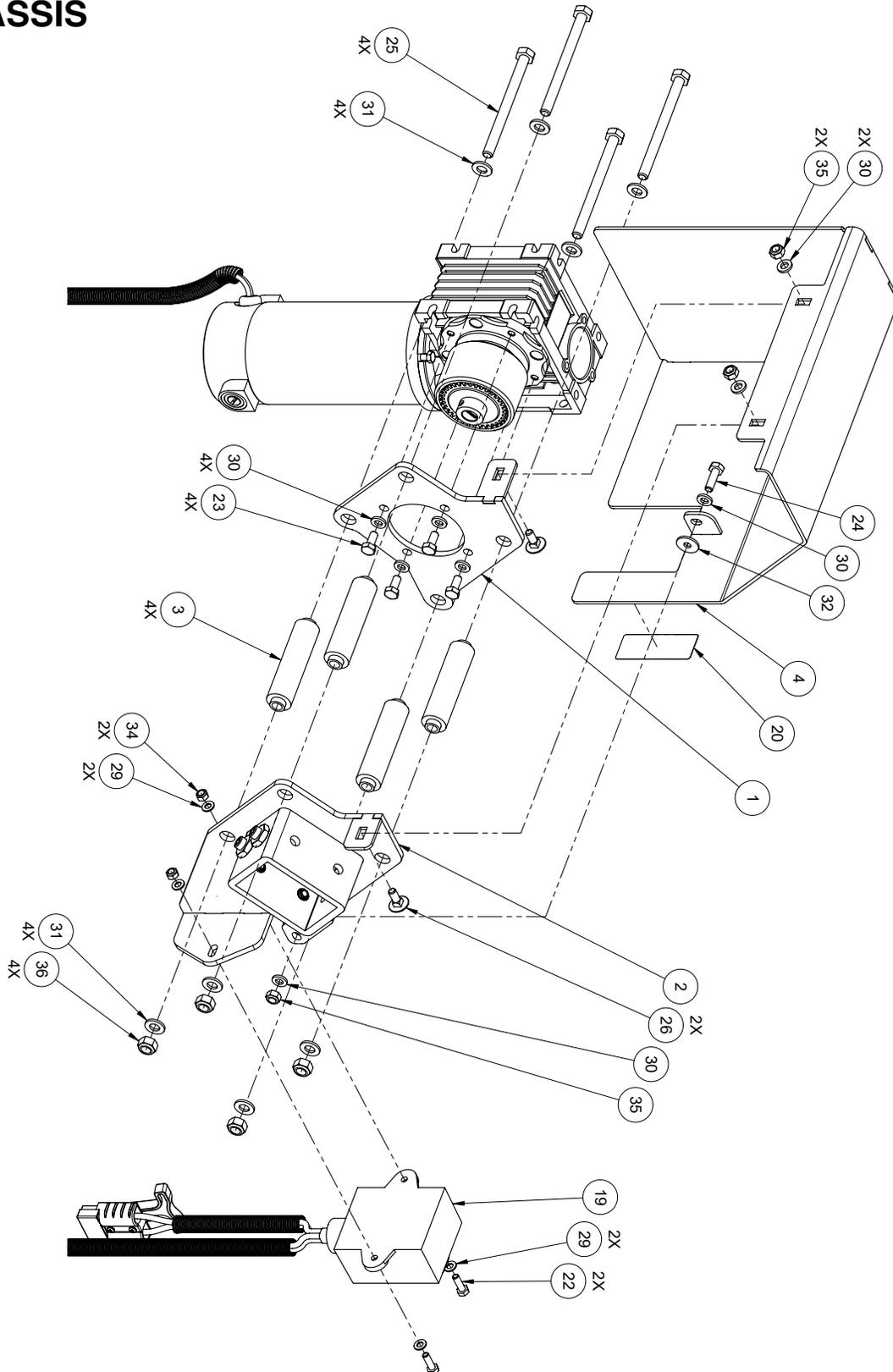
OPERATION

To move the sawhead up and down, simply press the *top* of the rocker switch to go **UP** or press the *bottom* of the rocker switch to go **DOWN**.



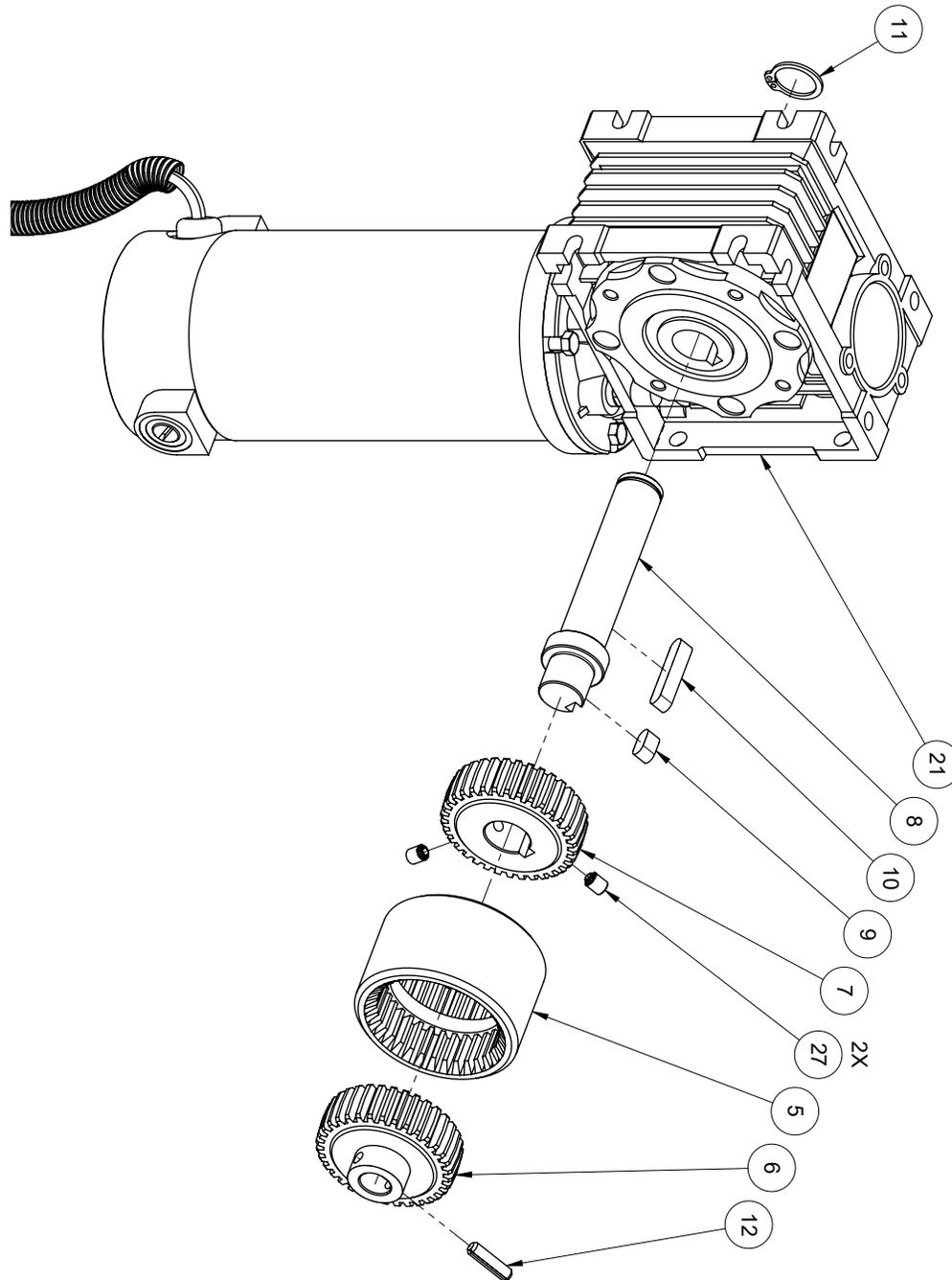


EXPLODED ASSEMBLY VIEWS CHASSIS



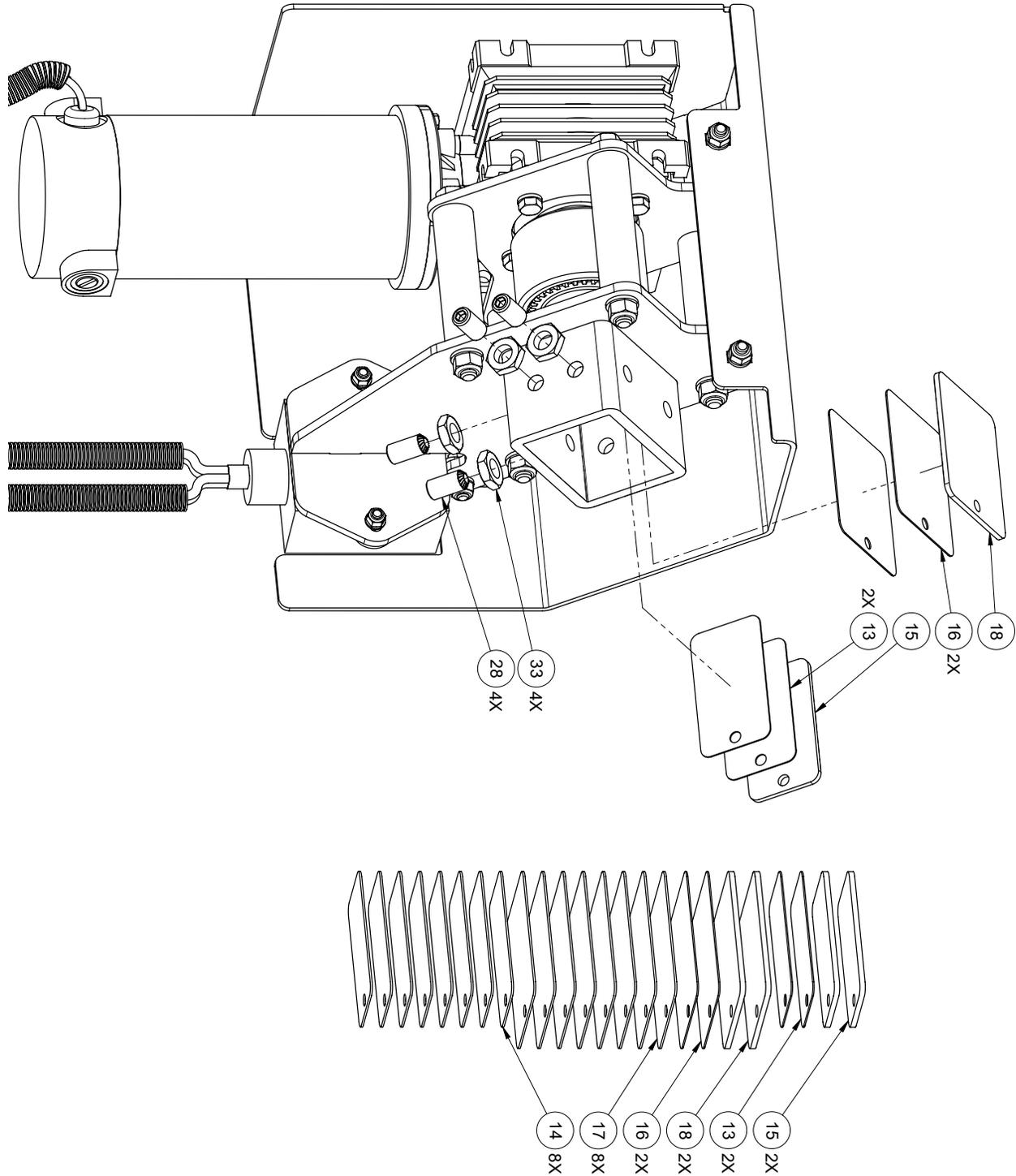


MOTOR/REDUCER & COUPLER





MOUNTING





PARTS LIST

Item	Qty	Part No.	Description
1	1	0005456	POWER HEAD REDUCER MOUNTING PLATE
2	1	0005472	POWER HEAD LIFT MECHANISM MOUNT
3	4	0004719	POWER HEAD MOUNT POST
4	1	0005453	POWER HEAD COVER
5	1	0001572	FLEXIBLE SHAFT COUPLING SLEEVE, 65 mm OD
6	1	0004712	FLEXIBLE SHAFT COUPLING HUB, 12 mm SFT, PINNED
7	1	0004597	FLEXIBLE SHAFT COUPLING HUB, 18 mm SFT, KEYED
8	1	0004598	POWER HEAD SHAFT, 18 mm DIA, 127 mm LG
9	1	0006482	PARALLEL KEY, 6 X 6 mm, 12 mm LG
10	1	0004845	PARALLEL KEY, 6 X 6 mm, 32 mm LG
11	1	0004799	RETAINING RING, EXTERNAL, 18mm SHAFT (17 mm GROOVE)
12	1	0004777	SPRING PIN, SLOTTED, 5 mm DIA, 20 mm LG
13	4	0004627	SHIM, NARROW, 70 X 38.5 mm, 0.67 mm THK
14	8	0004635	SHIM, NARROW, 70 X 38.5 mm, 0.97 mm THK
15	3	0004626	SHIM, NARROW, 70 X 38.5 mm, 2.66 mm THK
16	4	0004629	SHIM, WIDE, 70 X 59 mm, 0.67 mm THK
17	8	0004634	SHIM, WIDE, 70 X 59 mm, 0.97 mm THK
18	3	0004628	SHIM, WIDE, 70 X 59 mm, 2.66 mm THK
19	1	0004697	WATERPROOF ROCKER SWITCH CABLE ASSEMBLY
20	1	0007025	LABEL, UP/DOWN, POWER HEAD
21	1	EM80ZYW13B	MOTOR/REDUCER, 12 V DC, 110 RPM, 10 Nm [3.28 lbft], 1:15 RATIO, 63B14 PAM FLANGE
22	2	HHB-MBA071FCJ	HEX HEAD BOLT, CLS 8.8, M5 X 0.8, 16 mm LG, FULL
23	4	HHB-MBE067FCJ	HEX HEAD BOLT, CLS 8.8, M6 X 1, 14 mm LG, FULL
24	1	HHB-MBE075FCJ	HEX HEAD BOLT, CLS 8.8, M6 X 1, 20 mm LG, FULL
25	4	HHB-MBJ155PCJ	HEX HEAD BOLT, CLS 8.8, M8 X 1.25, 100 mm LG, 22 mm LG THD
26	2	SNC-MBE071FCJ	CARRIAGE BOLT, SQ NECK, CLS 8.8, M6 X 1, 16 mm LG, FULL
27	2	KCS-MBE055TA	SET SCREW, KNURLED CUP POINT, SST, M6 X 1, 8 mm LG
28	4	KCS-MBM075TA	SET SCREW, KNURLED CUP POINT, SST, M10 X 1.5, 20 mm LG
29	4	FTW-MBA000AJ	FLAT WASHER, M5
30	8	FTW-MBE000AJ	FLAT WASHER, M6
31	8	FTW-MBJ000AJ	FLAT WASHER, M8
32	1	FDW-MBE065141RA	FENDER WASHER, M6, 18 mm OD, 1.7 mm THK, RUBBER
33	4	THN-MBMCC	HEX NUT, THIN, CLS 4, M10 X 1.5
34	2	HLN-MBACH	LOCK NUT, CLS 8, M5 X 0.8
35	3	HLN-MBECH	LOCK NUT, CLS 8, M6 X 1
36	4	HLN-MBJCH	LOCK NUT, CLS 8, M8 X 1.25

This page intentionally left blank.



DISCOVER THE WOODLAND™